

Description

The operating pressure is converted into a proportional, electrical signal by a ceramics stainless steel pressure transducer. After amplification the signal is monitored as an analogue voltage or current signal. compressed air, natural gases or liquids

Media

Supply voltage

12-33 V DC residual ripple 5%, with reverse voltage protection, max. current consumption 4 mA

Electrical connector

plug M12x1, 4-pin, with coupling socket

Protection class IP67 according to DIN EN60529

Output signal

4-20 mA: max. power consumption 260 mW

0-10 V: max. power consumption 50 mW

Repeatability

< 0,2% v.E

Long-term stability < 0,25% v.E

Temperature sensitivity

< 0,2% v.E

Vibration resistance 20 g at 15-2000 Hz

Ambient temperature

from -30 °C to 85 °C

Media temperature

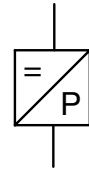
from -40 °C to 125 °C

Shock resistance

100 g (11 ms)

Material

Body: Stainless steel 316L, mat. no. 1.4404 O-Ring: FKM, optionally EPDM
Coupling socket: Polyarylamid 50% GF UL 94 V-0 Measuring cell: Stainless steel (bar areas)
ceramics AL₂O₃ (mbar/absolute pressure areas)



accurate to 0.2%
compressed air or liquids

Dimensions			Over-pressure	Under-pressure	Measurement range	Order number
B	Ø	SW	max. bar	max. bar	bar	(4-20 mA)
mm	mm	mm				

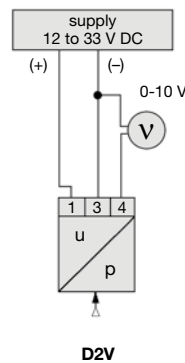
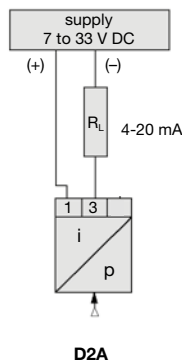
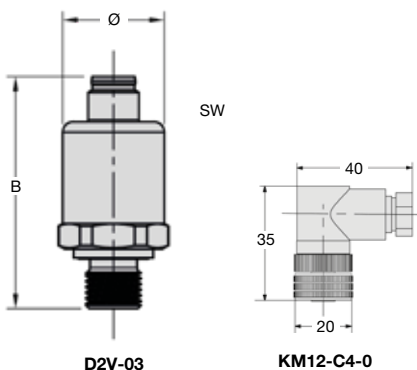
Miniature			G $\frac{1}{4}$ male stainless steel, for compressed air, natural gases or liquids, with angular coupling socket			D2	
55	24	24	-1	3,0	-1 ... 0 bar	D2A-V00	
				3,0	-1 ... 1 bar	D2A-V01	
				4,8	-1 ... 1,5 bar	D2A-V02	
				7,5	-1 ... 2,5 bar	D2A-V03	
				18	-1 ... 5 bar	D2A-V05	
				30	-1 ... 9 bar	D2A-V09	
				48	-1 ... 15 bar	D2A-V15	
				75	-1 ... 24 bar	D2A-V24	
				3,0	0 ... 1 bar	D2A-01	
				4,8	0 ... 1,6 bar	D2A-02	
				7,5	0 ... 2,5 bar	D2A-03	
				12	0 ... 4 bar	D2A-04	
				18	0 ... 6 bar	D2A-06	
				30	0 ... 10 bar	D2A-10	
				48	0 ... 16 bar	D2A-16	
				75	0 ... 25 bar	D2A-25	
				120	0 ... 40 bar	D2A-40	
				180	0 ... 60 bar	D2A-60	
				300	0 ... 100 bar	D2A-D1	
				480	0 ... 160 bar	D2A-D2	
				750	0 ... 250 bar	D2A-D3	
				1200	0 ... 400 bar	D2A-D4	
				1500	0 ... 600 bar	D2A-D6	
				1500	0 ... 1000 bar	D2A-E1	



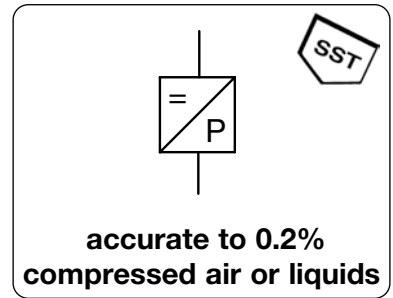
D2



KM12-C4-0



Description	The operating pressure is converted into a proportional, electrical signal by a ceramics stainless steel pressure transducer. After amplification the signal is monitored as an analogue voltage or current signal.		
Media	compressed air, natural gases or liquids		
Supply voltage	12-33 V DC	residual ripple 5%, with reverse voltage protection, max. current consumption 4 mA	
Electrical connector	plug M12x1, 4-pin, with coupling socket	Protection class IP67 according to DIN EN60529	
Output signal	4-20 mA: max. power consumption 260 mW	0-10 V: max. power consumption 50 mW	
Repeatability	< 0,2% v.E	Long-term stability < 0,25% v.E	
Temperature sensitivity	< 0,2% v.E	Vibration resistance 20 g at 15-2000 Hz	
Ambient temperature	from -30 °C to 85 °C		
Media temperature	from -40 °C to 125 °C		
Shock resistance	100 g (11 ms)		
Material	Body: Stainless steel 316L, mat. no. 1.4404	O-Ring: FKM, optionally EPDM	
	Coupling socket: Polyarylamid 50% GF UL 94 V-0	Measuring cell: Stainless steel (bar areas) ceramics AL ₂ O ₃ (mbar/absolute pressure areas)	



Dimensions			Over-pressure	Under-pressure	Measurement range	Oder number
B	Ø	SW	max. bar	max. bar	bar	(4-20 mA)
mm	mm	mm				

Miniature			G¼ male stainless steel, for compressed air, natural gases or liquids, with angular coupling socket			D2	
55	24	24	-0,3	2,0	-50 ...	50 mbar	D2A-B5V
					-100 ...	100 mbar	D2A-C1V
					-200 ...	200 mbar	D2A-C2V
					-300 ...	300 mbar	D2A-C3V
					-100 ...	0 mbar	D2A-VC1
					0 ...	50 mbar	D2A-B5
					0 ...	100 mbar	D2A-C1
					0 ...	200 mbar	D2A-C2
					0 ...	300 mbar	D2A-C3
					0 ...	400 mbar	D2A-C4
					0 ...	600 mbar	D2A-C6



D2

Special options, add the appropriate letter or number

0-10 V output signal		D2 . . . V
deviant measurement range to be indicated on order		D2 . . XX
absolute pressure range measurement range from 0 ... 16 bar (Ceramic measuring cell)		D2 . . . A
flush-mounted diaphragm fully welded		D2 . . . F
G¼ male connection thread		D2 . . . 01
G½ male connection thread		D2 . . . 04
NPT connection thread		D2 . . . N
EPDM elastomers		D2 . . . E
for oxygen specially cleaned	from measurement range 1 bar	D2 . . . 15



KM12-C4-0

Accessories, enclosed

coupling socket 4-pin	M12x1, straight	KM12-A4-0	angular	KM12-C4-0
socket with cable	2 m, straight	KM12-A4-2	angular	KM12-C4-2
	5 m, straight	KM12-A4-5	angular	KM12-C4-5

